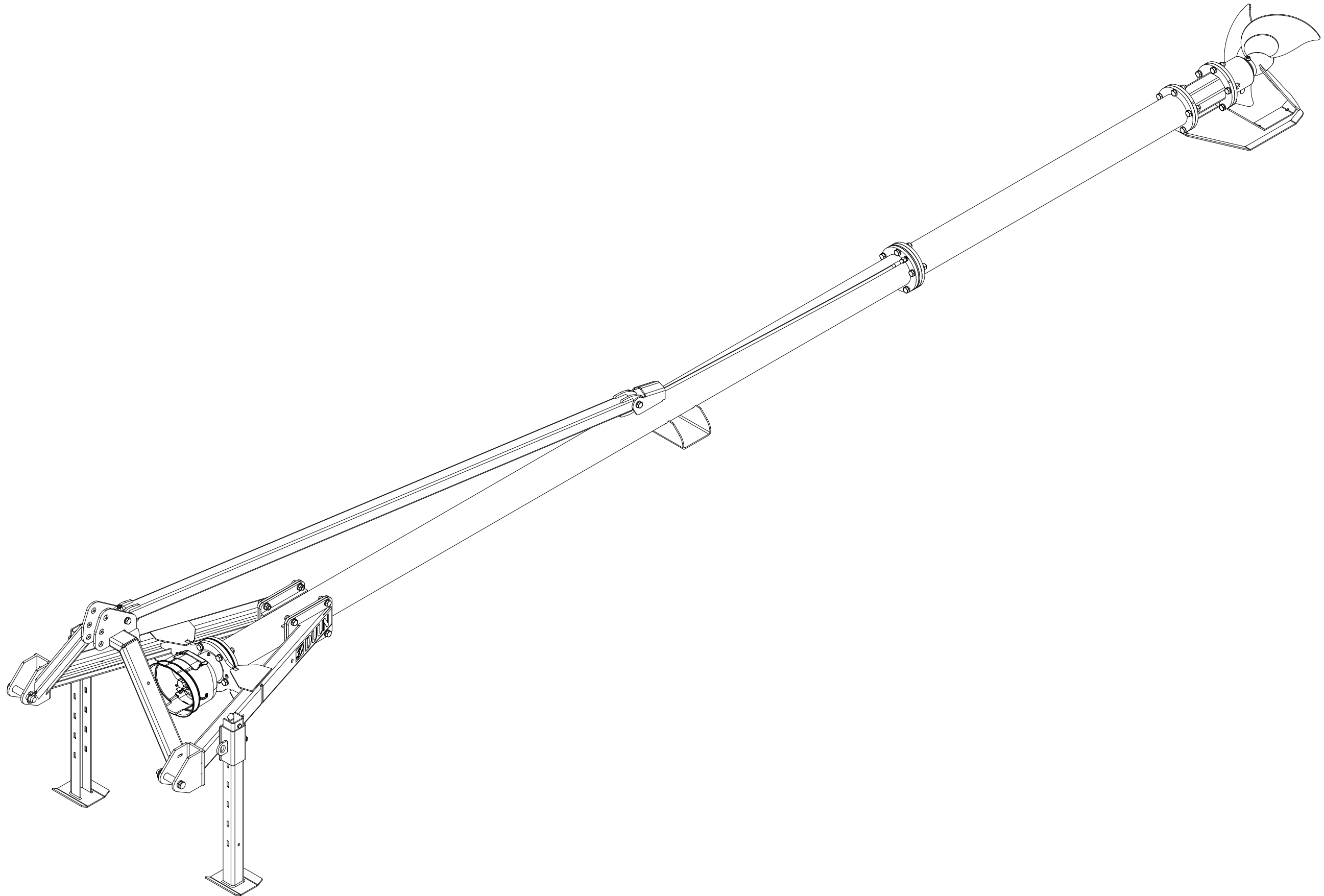


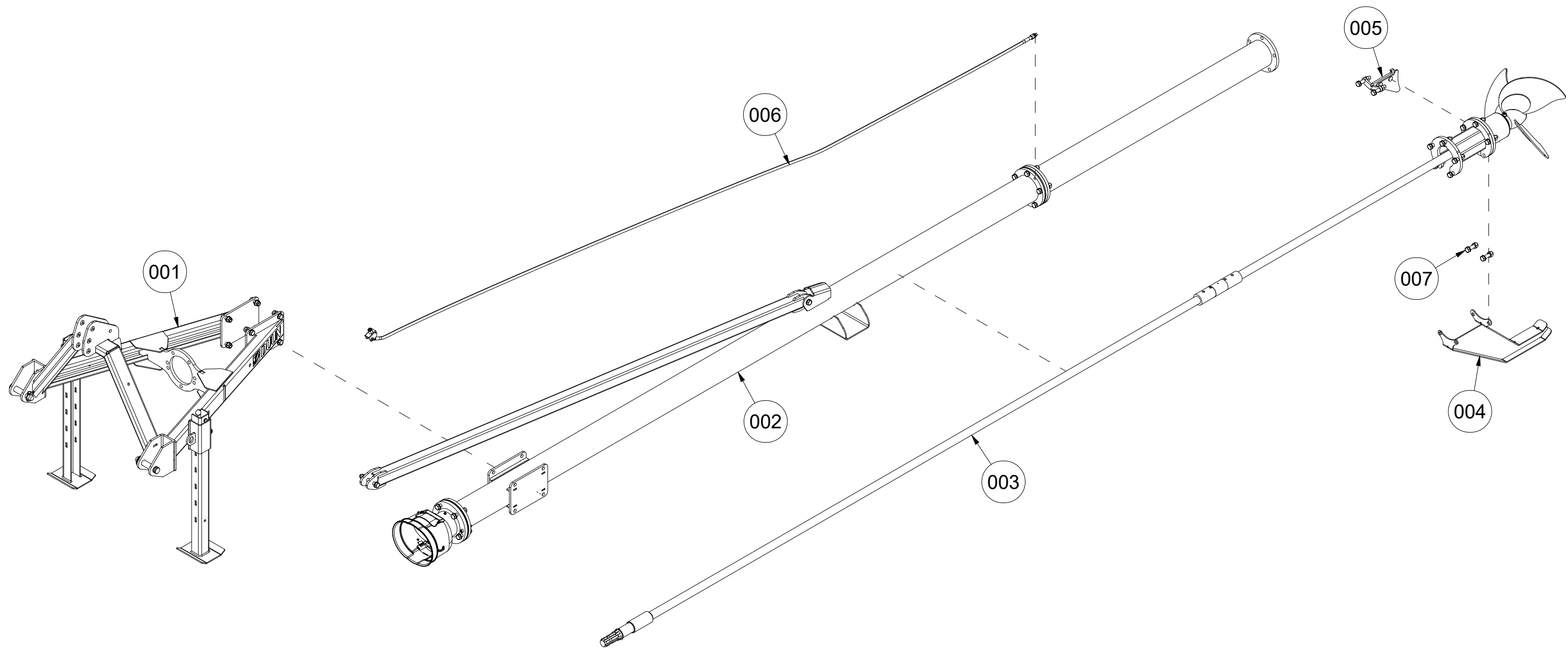


PO70 Mk2

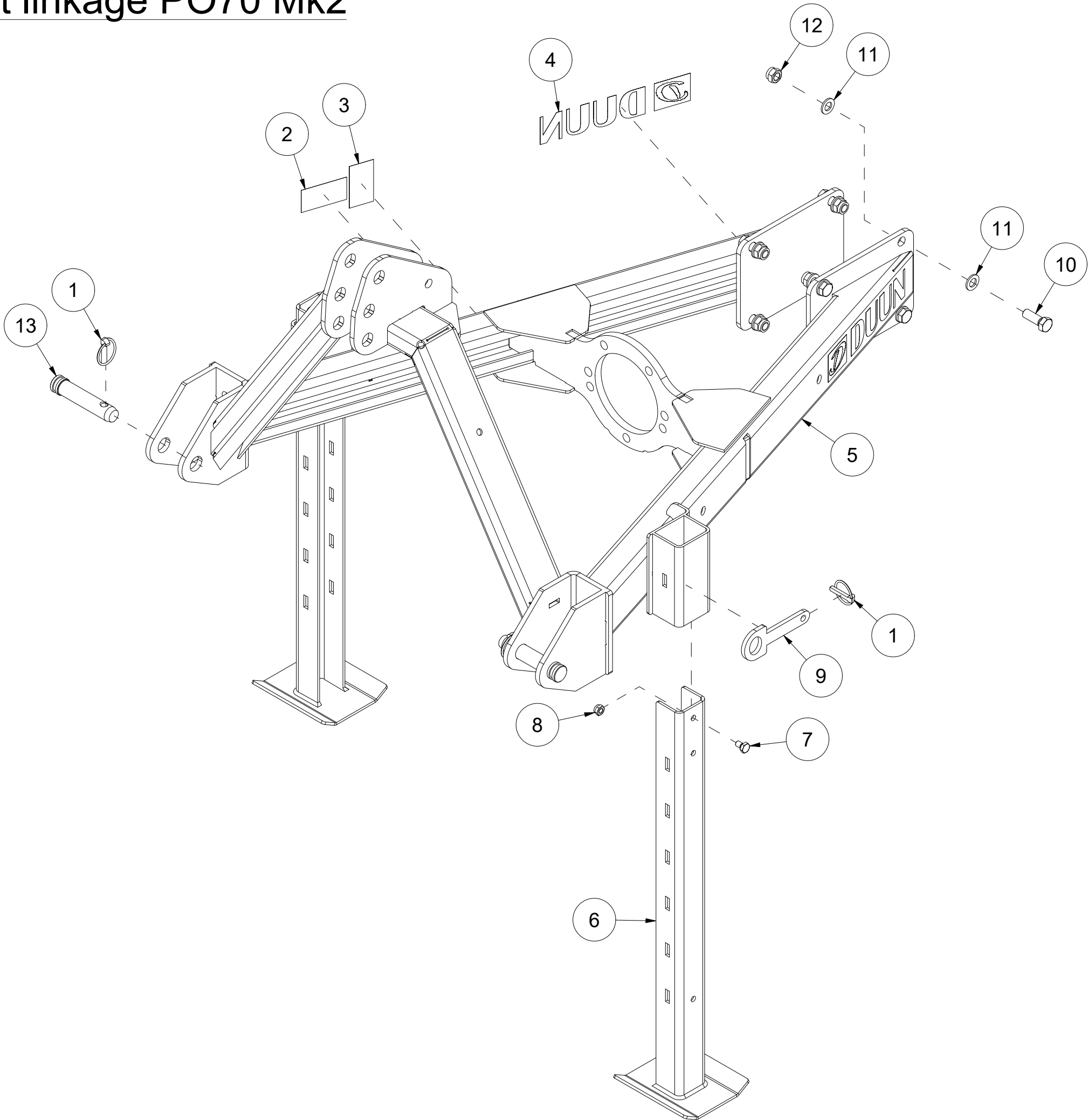
Spare parts catalogue

Duun Industrier as
7630 Åsen, Norway
www.duun.no



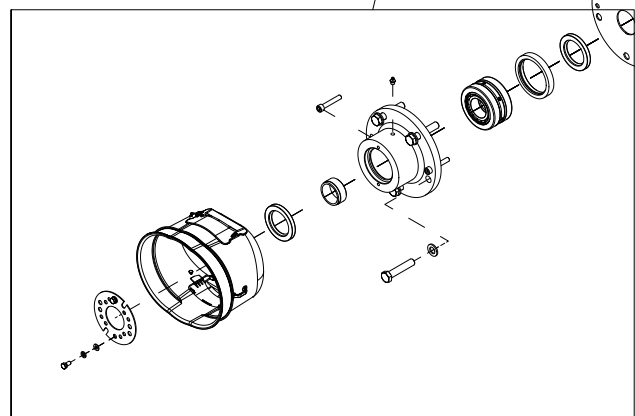
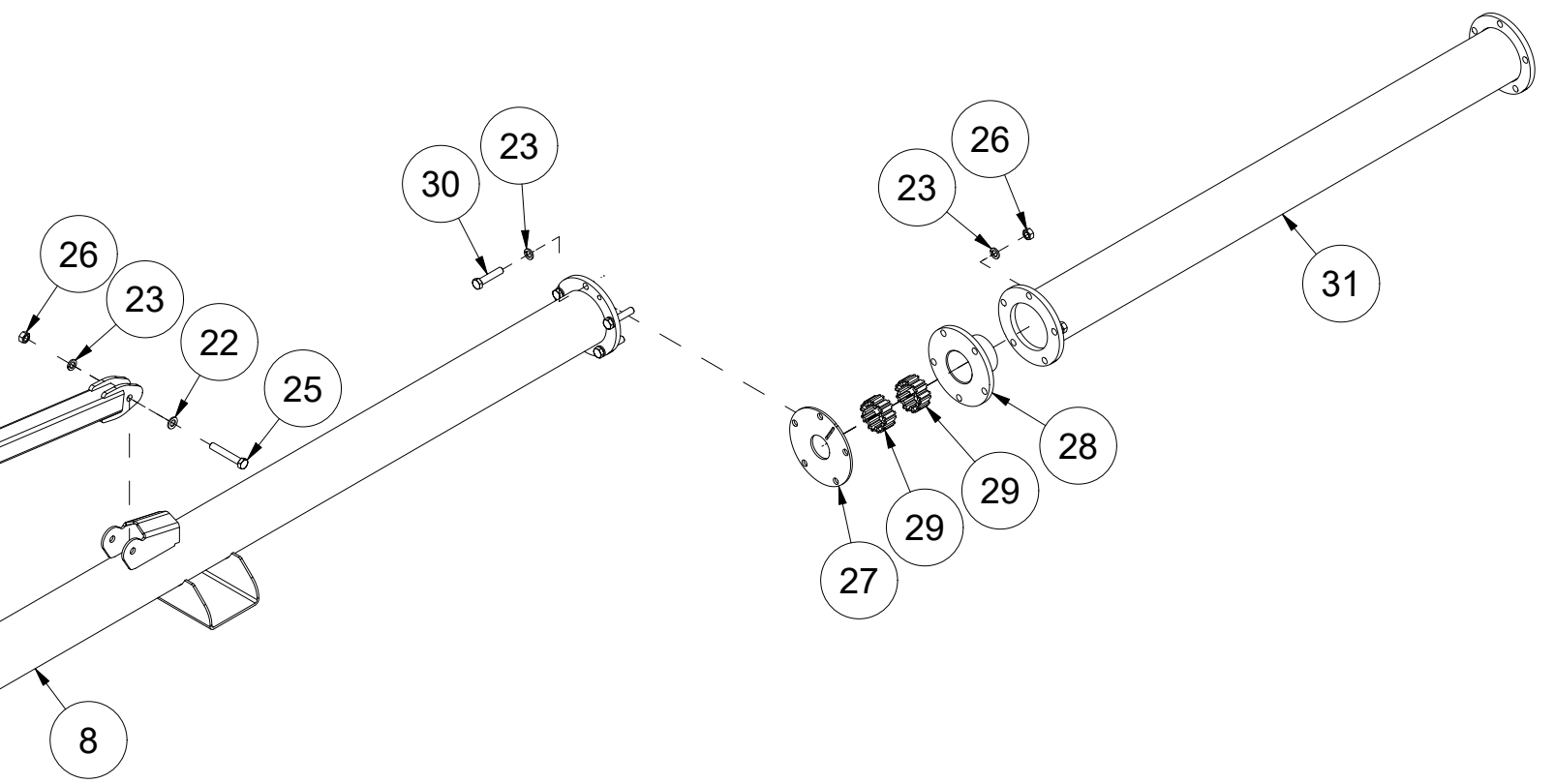
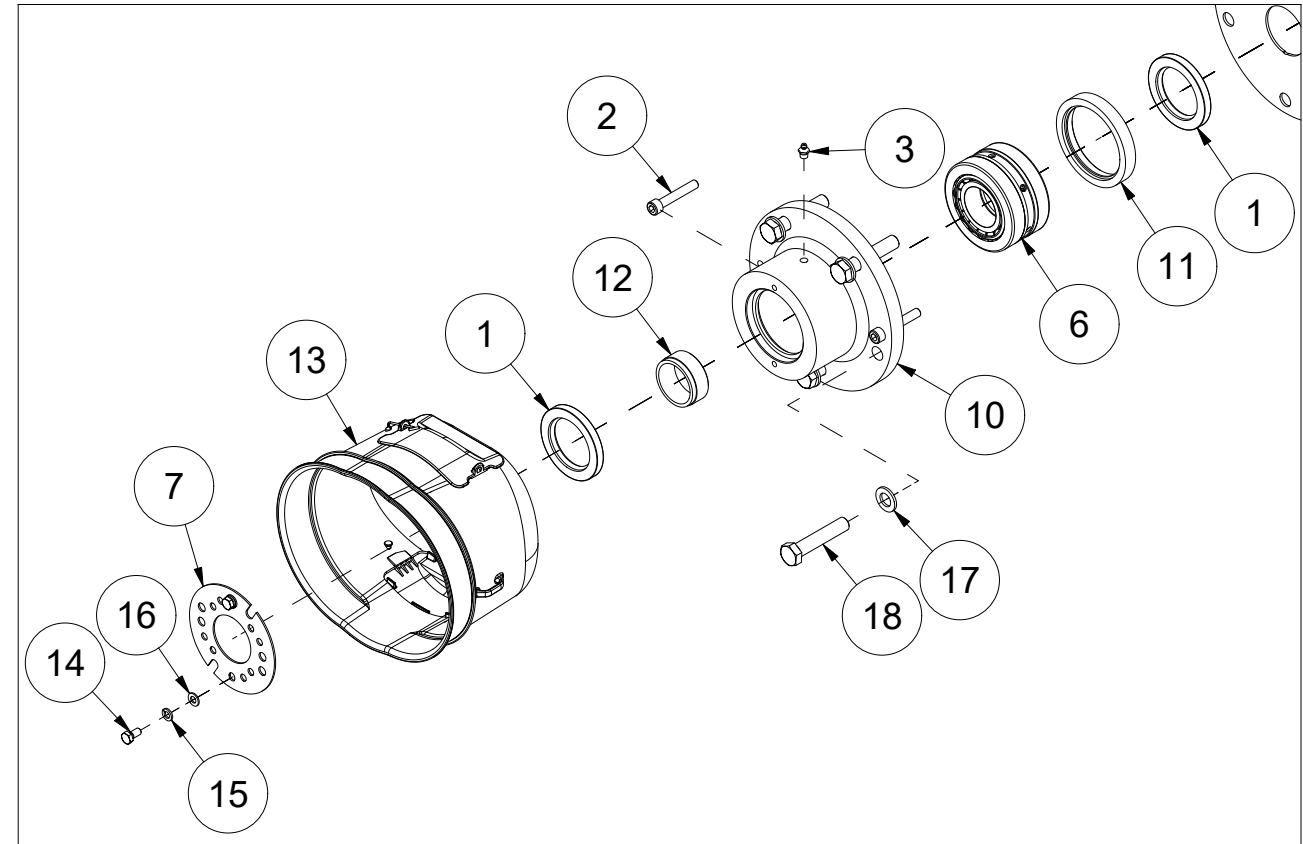


001 Three-point linkage PO70 Mk2



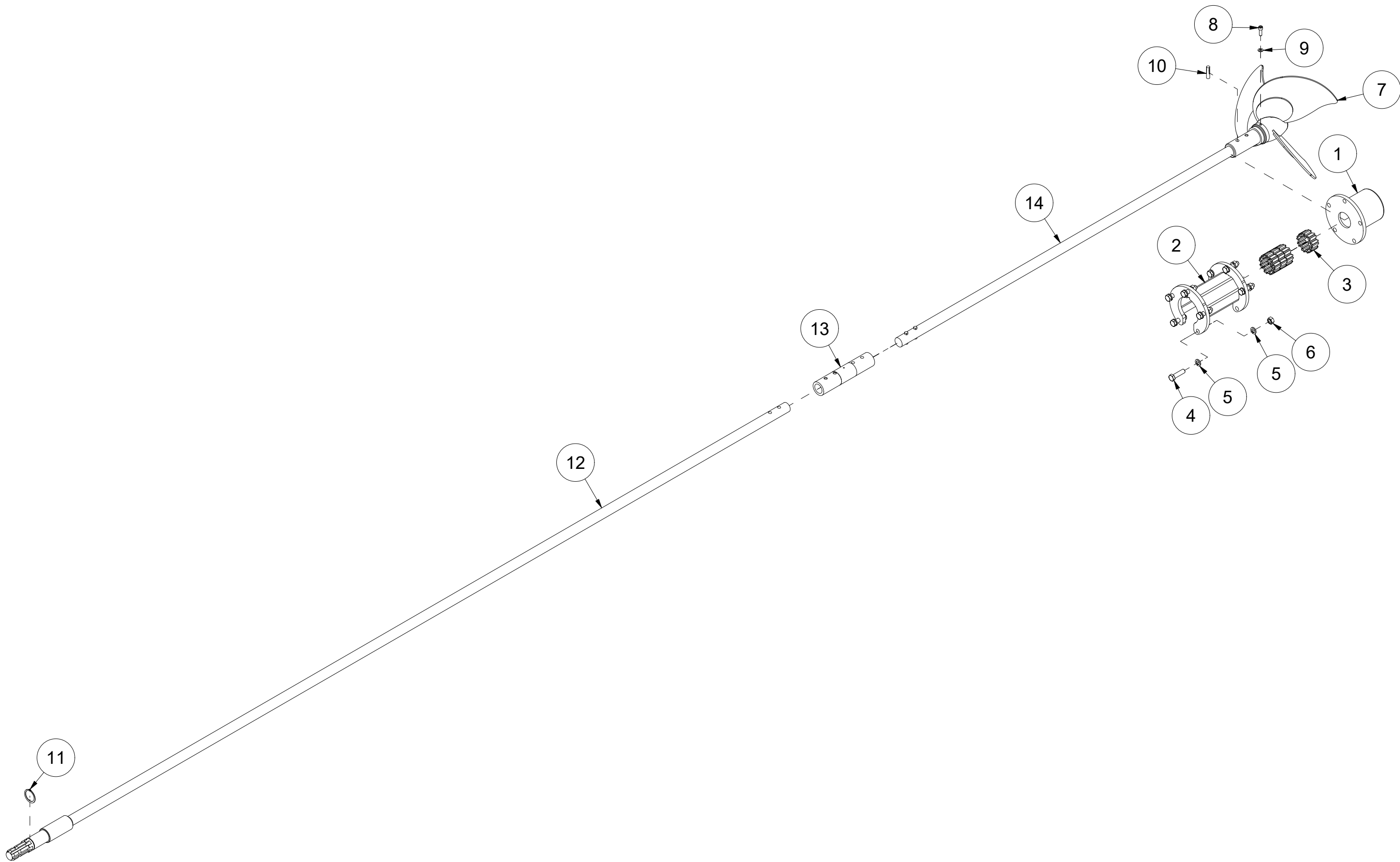
Pos	Qty	Article no	Designation
1	4	2556142	Linch pin Ø10x40
2	1	2935064	Adhesive label 90x48 Instruction manual
3	1	2935069	Adhesive label 90x48 Crush hazard
4	2	2935071	Adhesive label Duun H60
5	1	32101037	Three-point linkage
6	2	32201039	Support leg
7	2	2422290	Hexagon screw M10x16 EIZn 8.8 DIN 933
8	2	2483610	Locking nut M10 EIZn DIN 985
9	2	26151086	Locking pin
10	8	2422491	Hexagon screw M16x45 EIZn 8.8 DIN 933
11	16	2531078	Washer M16 EIZn DIN 125
12	8	2483613	Locking nut M16 EIZn DIN 985
13	2	2551730	Drawbar bolt cat. 2 Ø28x95

002 Upper propeller stem PO70 Mk2



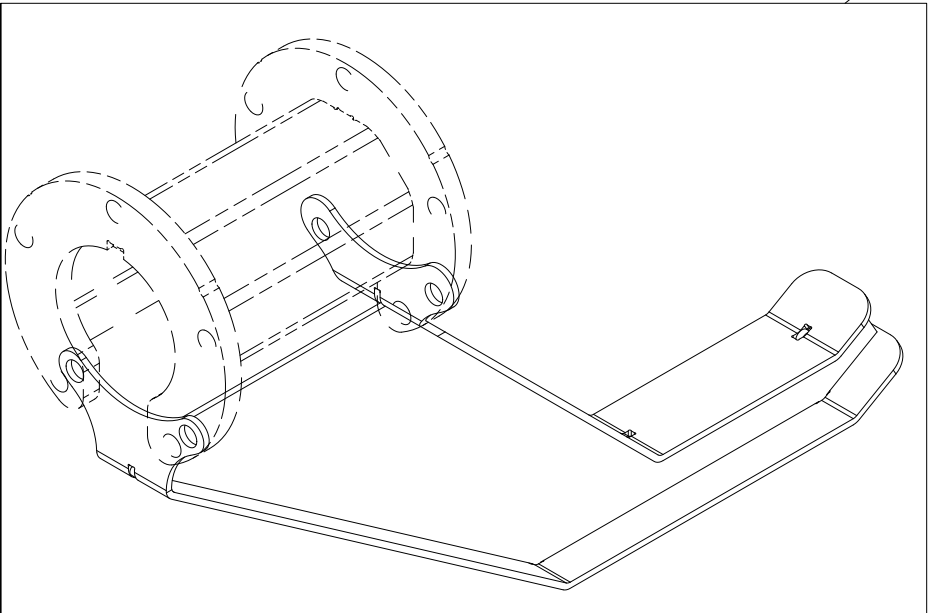
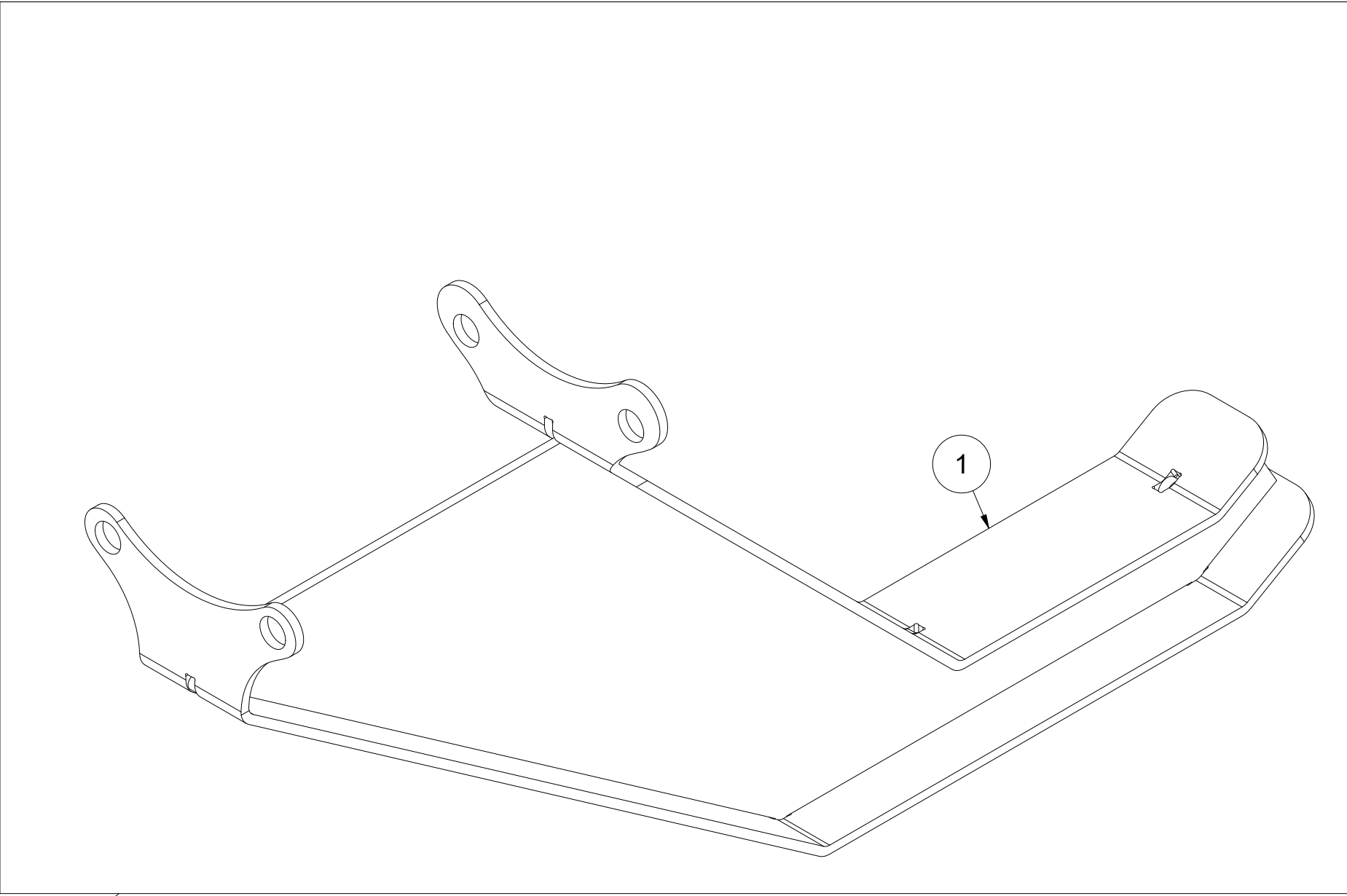
Pos	Qty	Article no	Designation
1	2	2234157	Simmerring Ø60/90x10
2	2	2475310	Unbrako cylinder screw M10x60 A4 DIN 912
3	1	2478410	Grease nipple, straight 1/8"
4	2	2483810	Locking nut M10 A4 DIN 985
5	2	2537060	Washer M10 A4 DIN 125
6	1	2953380	Double roller bearing ø50/110
7	1	31231079	Fixing plate for safety funnel
8	1	32121001	Upper propeller stem
9	2	32101038	Resistance flange
10	1	32101039	Bearing hub
11	1	32101043	Flange
12	1	32101044	Spacer sleeve
13	1	2962135	Safety funnel with holes 2xØ10_Ø105
14	2	2427240	Hexagon screw M8x16 VZn 8.8 DIN 933
15	2	2536047	Spring washer M8 VZn DIN 127
16	2	2539048	Washer M8 VZn DIN 125
17	12	2531078	Washer M16 EIZn DIN 125
18	5	2422500	Hexagon screw M16x80 EIZn 8.8 DIN 931
19	6	2483613	Locking nut M16 EIZn DIN 985
20	1	32101058	Serial no. bracket
21	1	32101033	Slanted strut
22	1	2539078	Washer M16 VZn DIN 125
23	11	2539006	Spring washer M16 VZn DIN 127
24	1	2422503	Hexagon screw M16x110 EIZn 8.8 DIN 931
25	1	2427502	Hexagon screw M16x100 VZn 8.8 DIN 931
26	6	2481813	Hexagon nut M16 VZn DIN 934
27	1	32131003	Middle bearing lubrication track plate
28	1	32131002	Bearing
29	2	2245028	Bearing
30	5	2427499	Hexagon screw M16x75 VZn 8.8 DIN 931
31	1	32131001	Splicing piece of propeller stem

003 Lower propeller stem PO70 Mk2



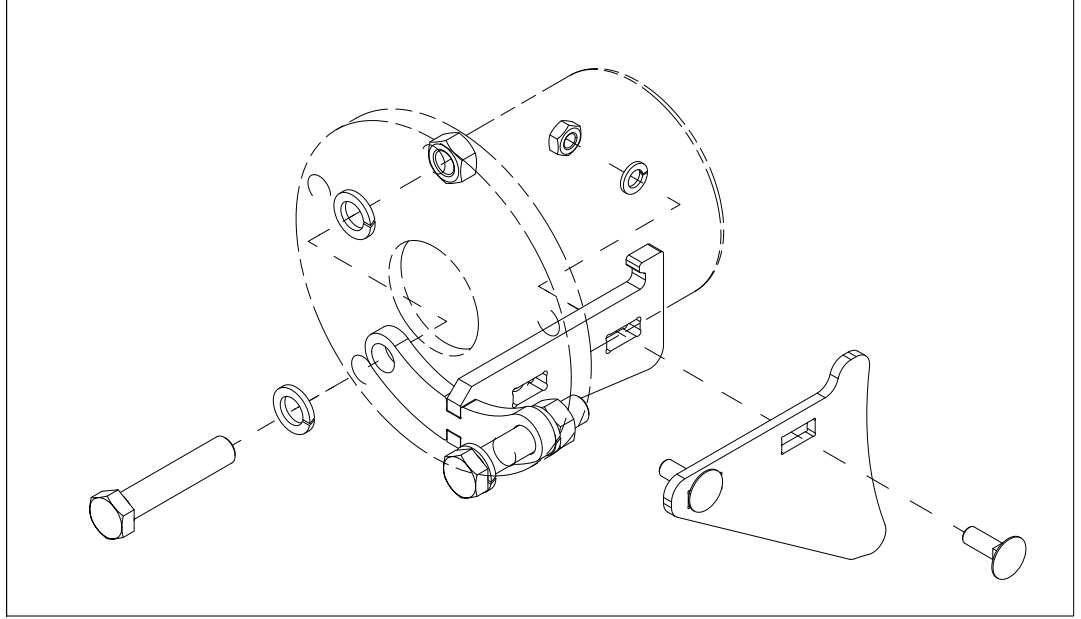
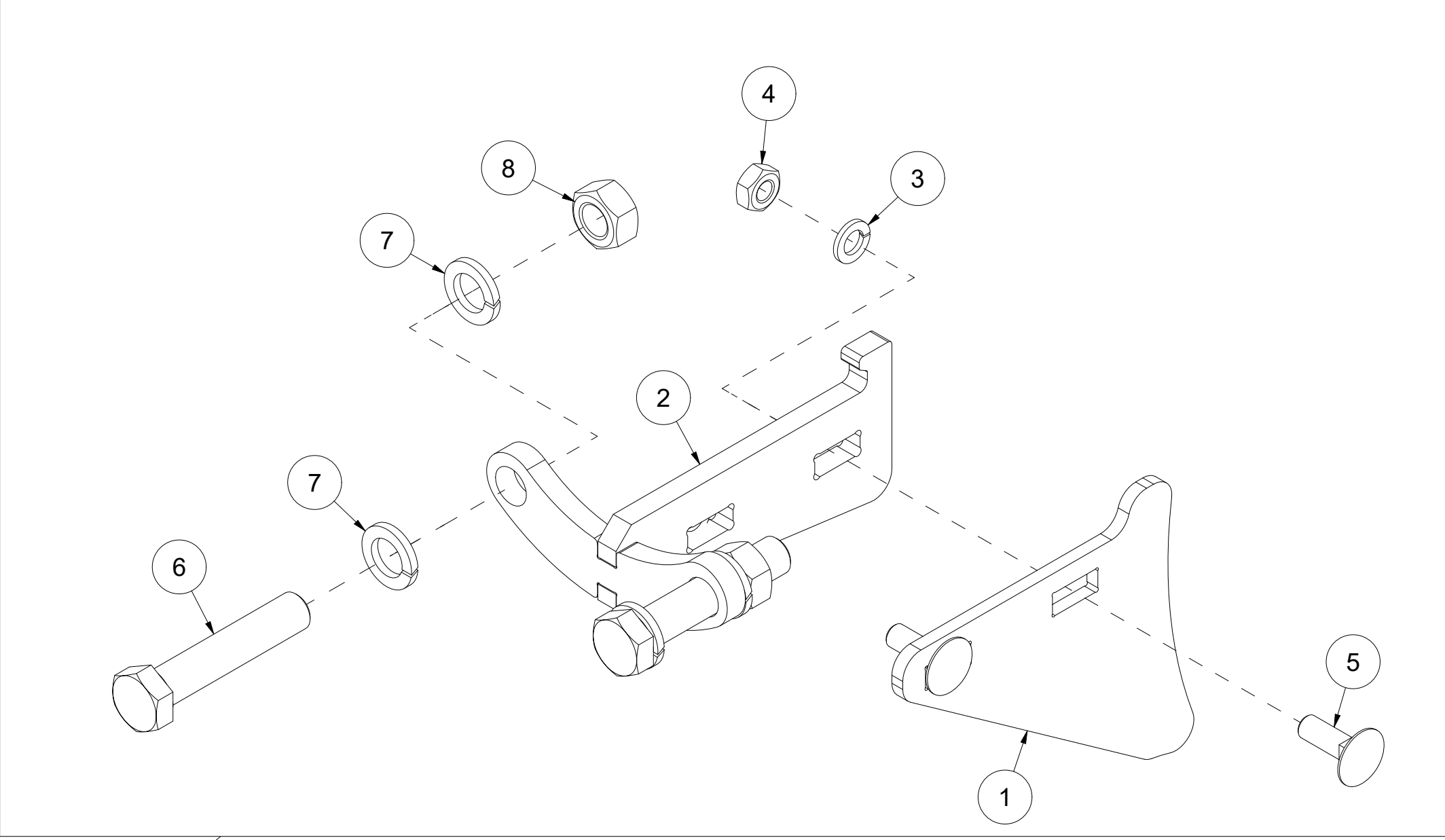
Pos	Qty	Article no	Designation
1	1	32121004	Lower bearing
2	1	32121005	Divider
3	4	2245028	Bearing
4	8	2427495	Hexagon screw M16x60 VZn 8.8 DIN 931
5	16	2539006	Spring washer M16 VZn DIN 127
6	8	2481813	Hexagon nut M16 VZn DIN 934
7	1	32101040	Propeller
8	1	2475299	Unbrako cylinder screw M10x30 A4 DIN 912
9	1	2537060	Washer M10 A4 DIN 125
10	6	2527128	Lock pin 13x55 DIN 1474
11	1	2553150	Seeger ring A 50x2,0 DIN 471
12	1	32131004	Propeller shaft
13	1	32131005	Propeller shaft joint
14	1	32131006	Lower propeller shaft

004 Support leg PO70 Mk2



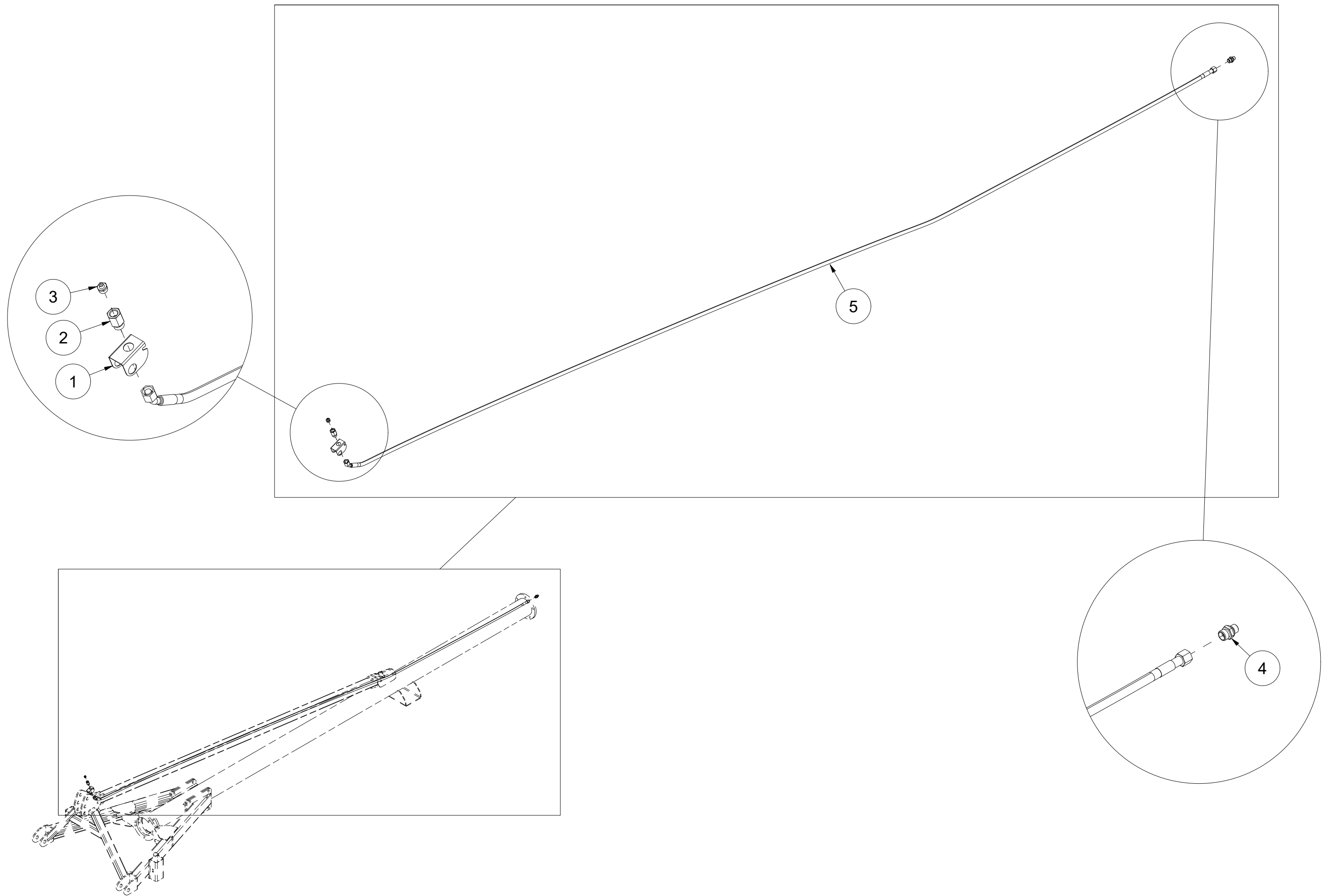
Pos	Qty	Article no	Designation
1	1	32121003	Support leg PO50/70 Mk2

005 Cleaning knife PO70 Mk2



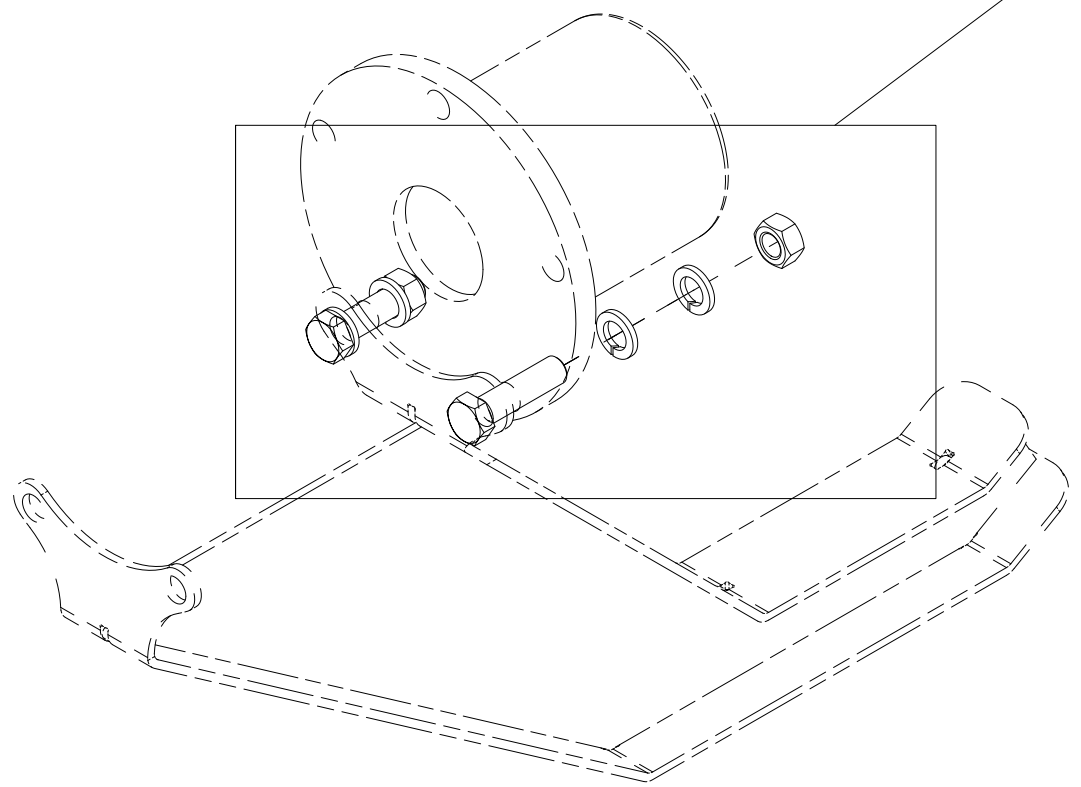
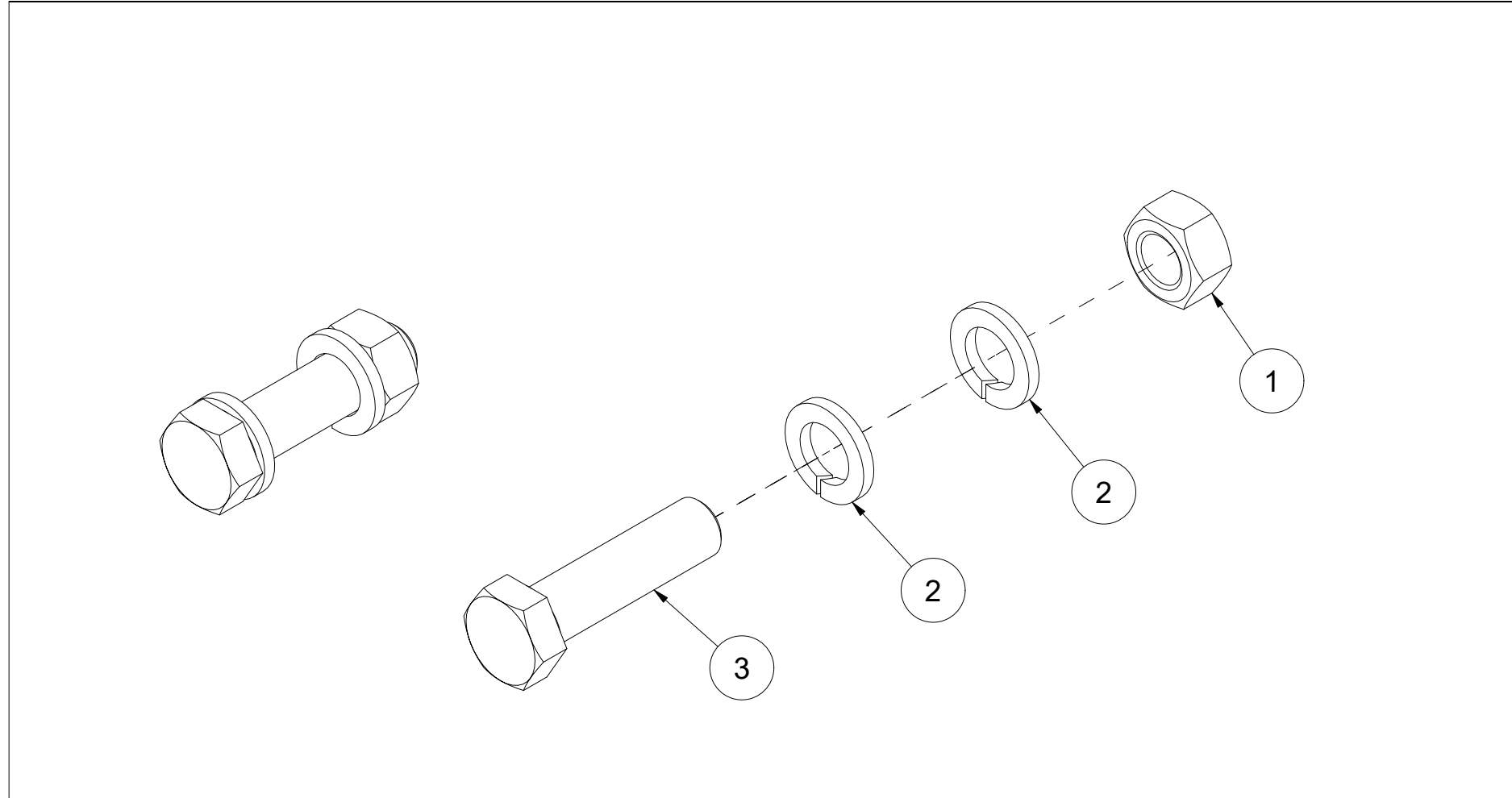
Pos	Qty	Article no	Designation
1	1	32121006	Cleaning knife PO 50/70 Mk2
2	1	32121007	Knife holder
3	2	2539000	Spring washer M10 VZn DIN 127
4	2	2481810	Hexagon nut M10 VZn DIN 934
5	2	2444312	Locking screw M10x30 VZn DIN 603
6	2	2427500	Hexagon screw M16x80 VZn 8.8 DIN 931
7	4	2539006	Spring washer M16 VZn DIN 127
8	2	2481813	Hexagon nut M16 VZn DIN 934

006 Grease hose PO70 Mk2



Pos	Qty	Article no	Designation
1	1	32131007	Grease nipple attachment
2	1	2957520	Transition GAI BSP 1/4" L10
3	1	2478413	Grease nipple1/4"
4	1	2957754	Hexagon nipple GEK BSP 1/4" L10 ED
5	1	2958411	Hydraulic hose 1/4" L3000

007 Screws without cleaning knife PO70 Mk2



Pos	Qty	Article no	Designation
1	2	2481813	Hexagon nut M16 VZn DIN 934
2	4	2539006	Spring washer M16 VZn DIN 127
3	2	2427495	Hexagon screw M16x60 VZn 8.8 DIN 931